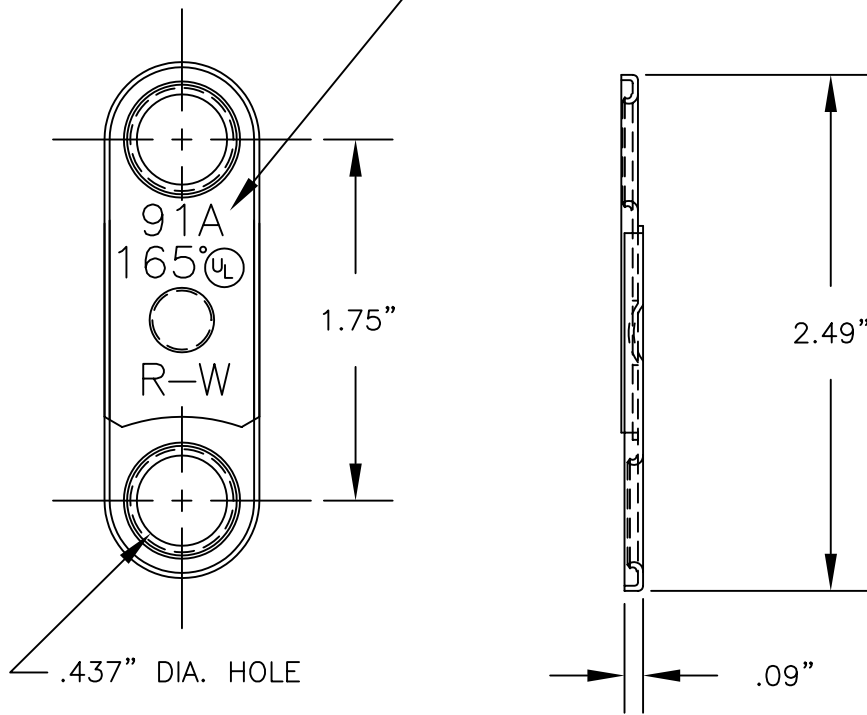


NOTE: THIS NUMBER REPRESENTS
YEAR OF MFG.



LISTED BY UNDERWRITER'S LABORATORIES, INC., IN THE FOLLOWING
RANGES FOR LOADS UP TO 30 LBS:

0097.00135	135°F.	0097.00212	212°F.
0097.00165	165°F.	0097.00370	370°F.