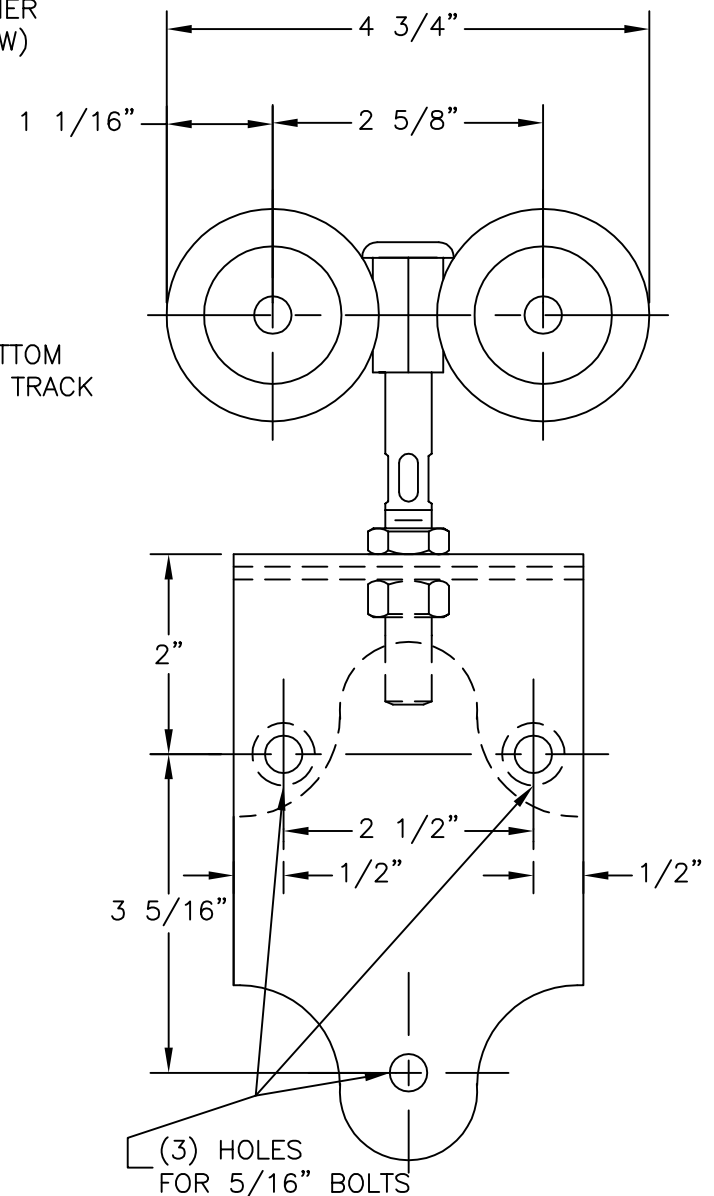
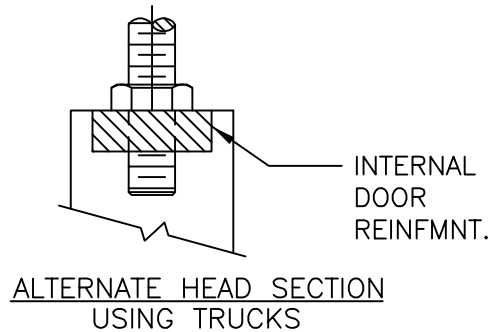
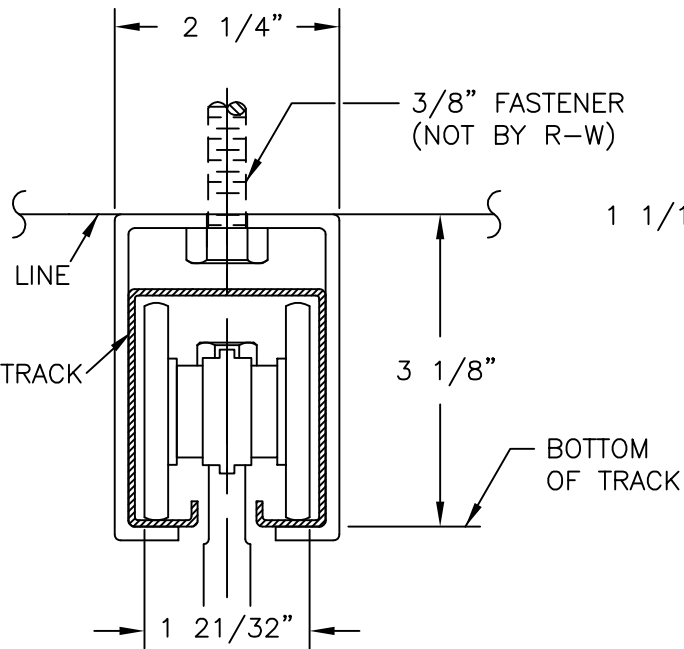


STANDARD HEAD SECTION  
USING SIDEWALL BRACKET



NOTE: SOME INSTALLATIONS MAY REQUIRE BRACKET SHIMS TO PROPERLY ALIGN THE TRACK.