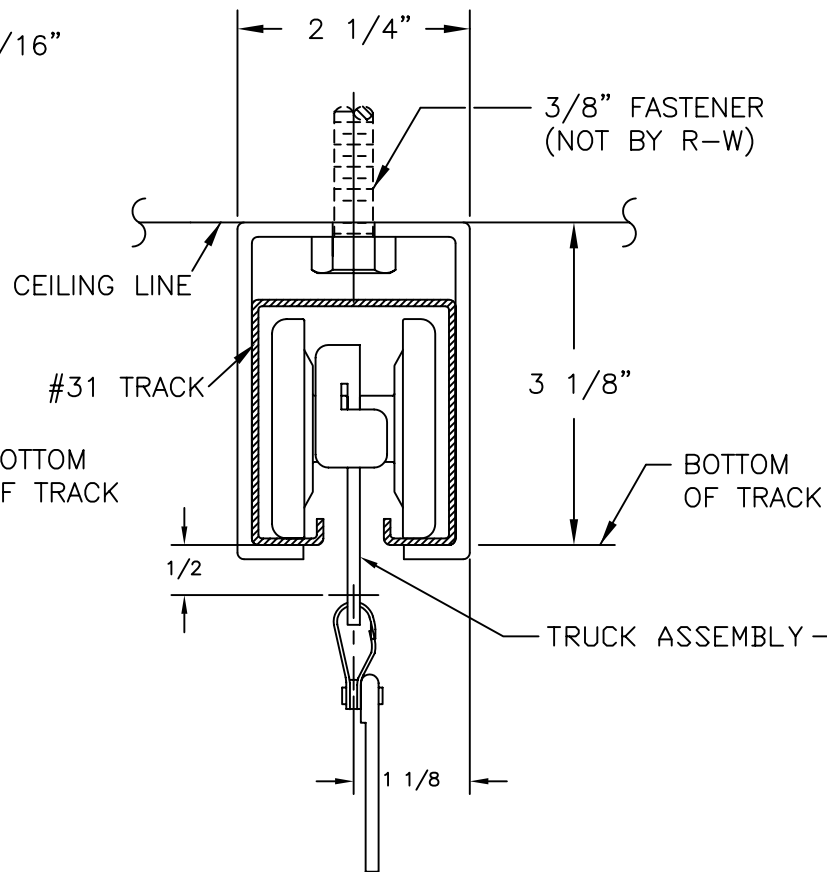
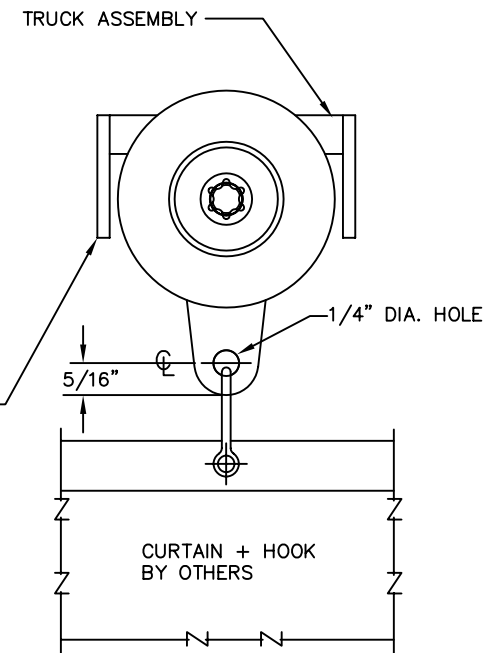


STANDARD HEAD SECTION
USING SIDEWALL BRACKET



ALTERNATE HEAD SECTION
USING OVERHEAD BRACKET



NOTE: SOME INSTALLATIONS MAY REQUIRE
BRACKET SHIMS TO PROPERLY ALIGN
THE TRACK.