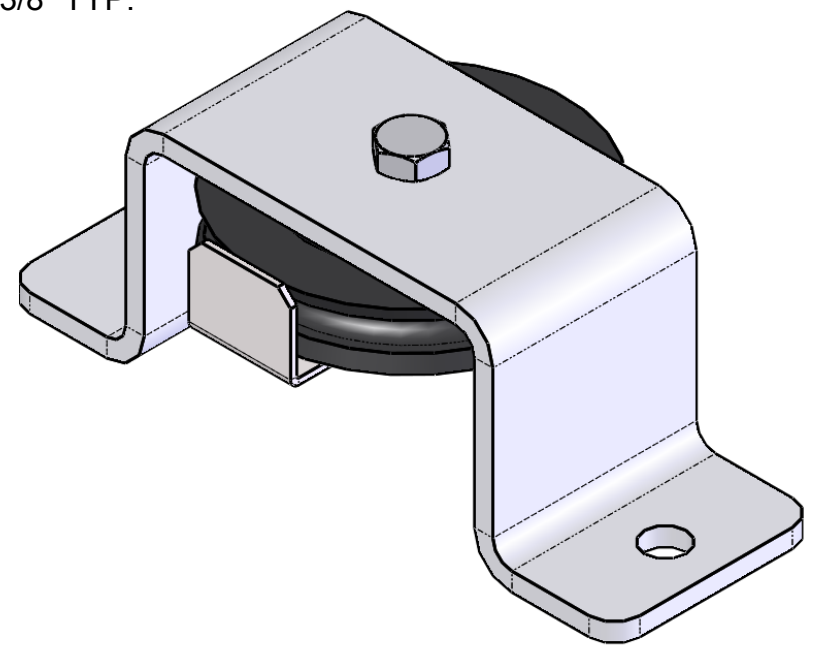
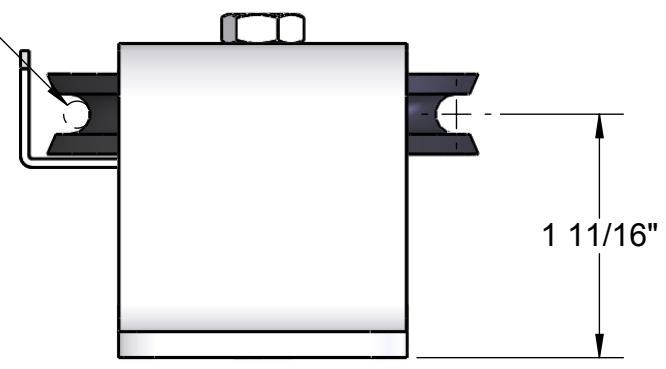
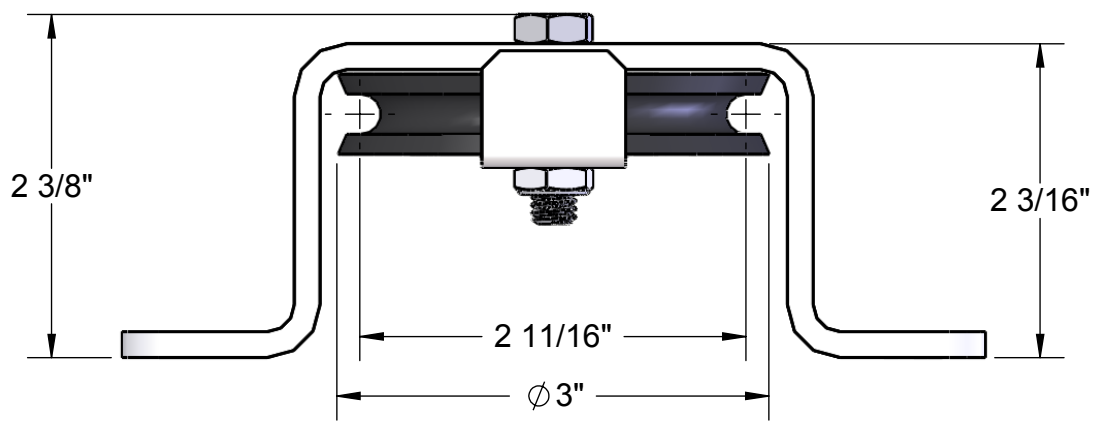


Ø 3/8" TYP.



(Ø 3/16" WIRE ROPE
(SUPPLIED BY OTHERS))



RICHARDS-WILCOX

600 S. Lake St. Aurora, IL 60506
800-253-5668 • (630) 897-6951
richardswilcox.com

DESCRIPTION: 234 FLUSH MOUNT PULLEY			
ITEM NO.:	DATE:	REV:	PART WEIGHT:
0234.00018	5/11/09	B	1.13 lbs.

NOTICE
THIS DRAWING IN DESIGN AND DETAIL IS THE PROPERTY OF RICHARDS-WILCOX. ANY REPRODUCTIONS OF THIS PRINT AND/OR DESIGN WITHOUT THE WRITTEN CONSENT OF RICHARDS-WILCOX IS PROHIBITED.