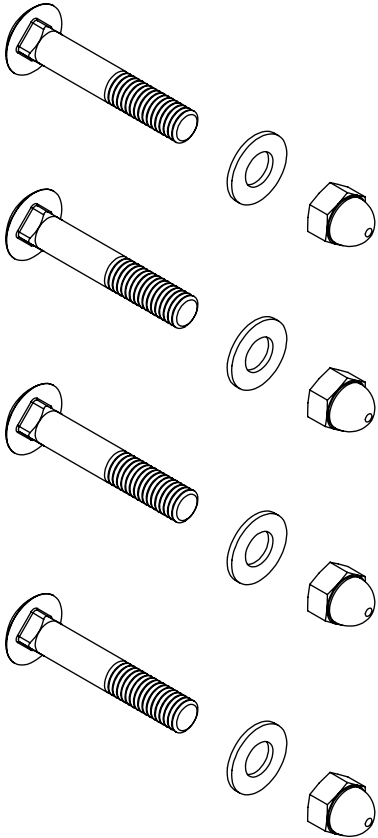
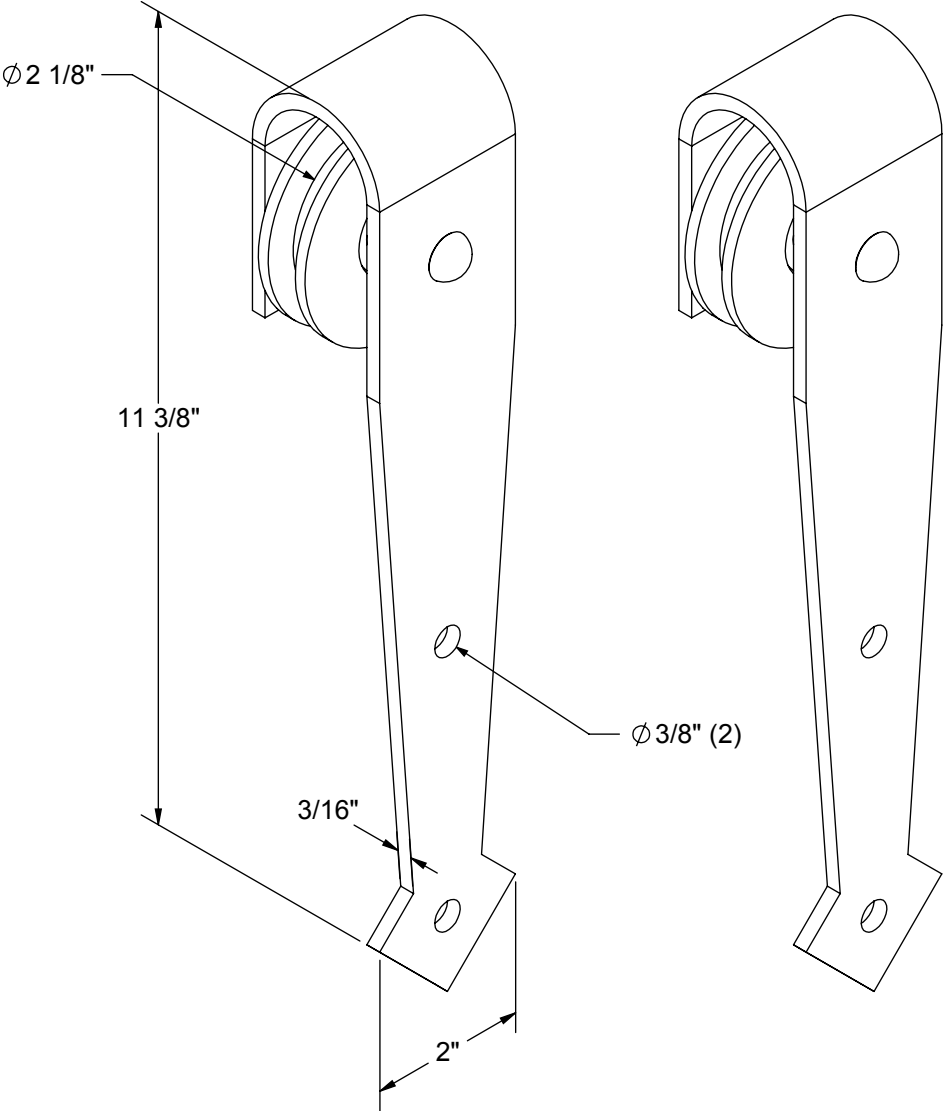


HANGER, FLAT TRAK, DEC, ARROWHEAD (PAIR)

PART No. 0105.01201



Application: Hangers are used on the Flat Track bar for doors up to 1-3/4" thick.

Capacity: 400 lbs. (pair)

Finish: Hangers-Black Powder Coat
 3/8" Hardware-Black Zinc

RICHARDS-WILCOX

600 S. Lake St. Aurora, IL 60506
 800-253-5668 • (630) 897-6951
 richardswilcox.com

DESCRIPTION:

HANGER, FLAT TRAK, DEC, ARROWHEAD (PAIR)

Part No.:
 0105.01201

Date:
 2/27/2013

Part Weight:
 5.30

Rev.:
 A

NOTICE:

THIS DRAWING IN DESIGN AND DETAIL IS THE PROPERTY OF RICHARDS-WILCOX. ANY REPRODUCTIONS OF THIS PRINT AND/OR DESIGN WITHOUT THE WRITTEN CONSENT OF RICHARDS-WILCOX IS PROHIBITED.