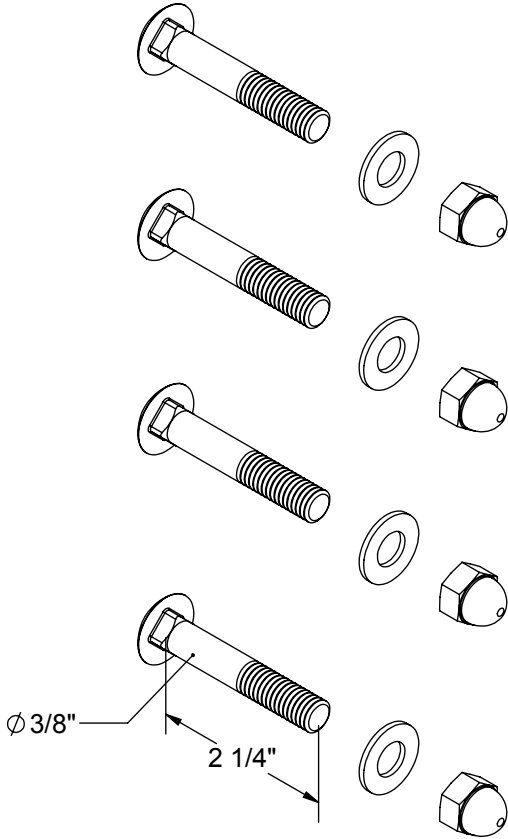
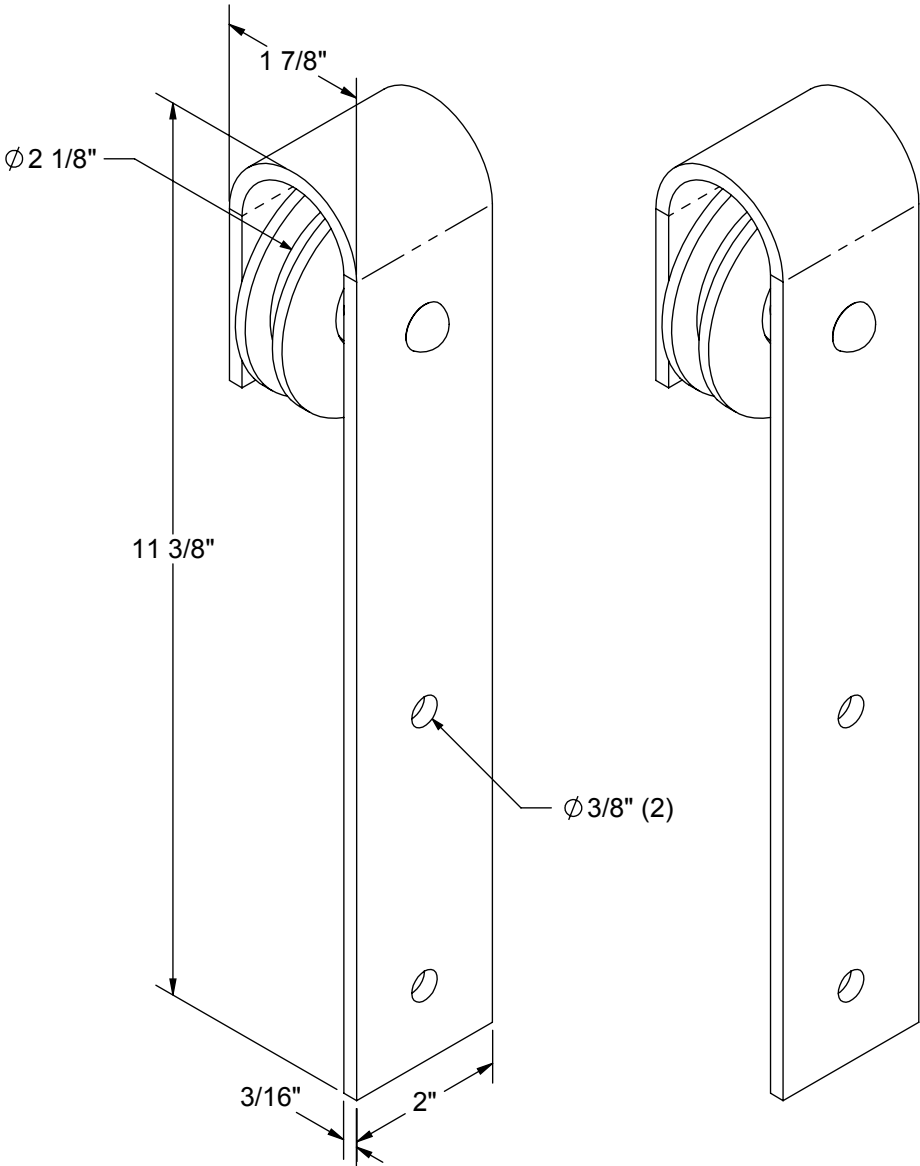


HANGER, FLAT TRACK, STRAIGHT, (PAIR)

PART No. 0105.00201



Application: Hangers are used on the Flat Track bar for doors up to 1-3/4" thick.

Capacity: 400 lbs. (pair)

Finish: Hangers-Black Powder Coat
3/8" Hardware-Black Zinc

RICHARDS-WILCOX

DESCRIPTION: HANGER, FLAT TRACK, STRAIGHT, (PAIR)

NOTICE:
THIS DRAWING IN DESIGN AND DETAIL IS THE PROPERTY OF RICHARDS-WILCOX. ANY REPRODUCTIONS OF THIS PRINT AND/OR DESIGN WITHOUT THE WRITTEN CONSENT OF RICHARDS-WILCOX IS PROHIBITED.

600 S. Lake St. Aurora, IL 60506
800-253-5668 • (630) 897-6951
richardswilcox.com

Part No.: 0105.00201

Date: 2/27/2013

Part Weight: 5.76

Rev.: A